

6

5

4

3

2

1

REVISION RECORD			
LTR	ECO NO.	APPROVED	DATE

D

D

C

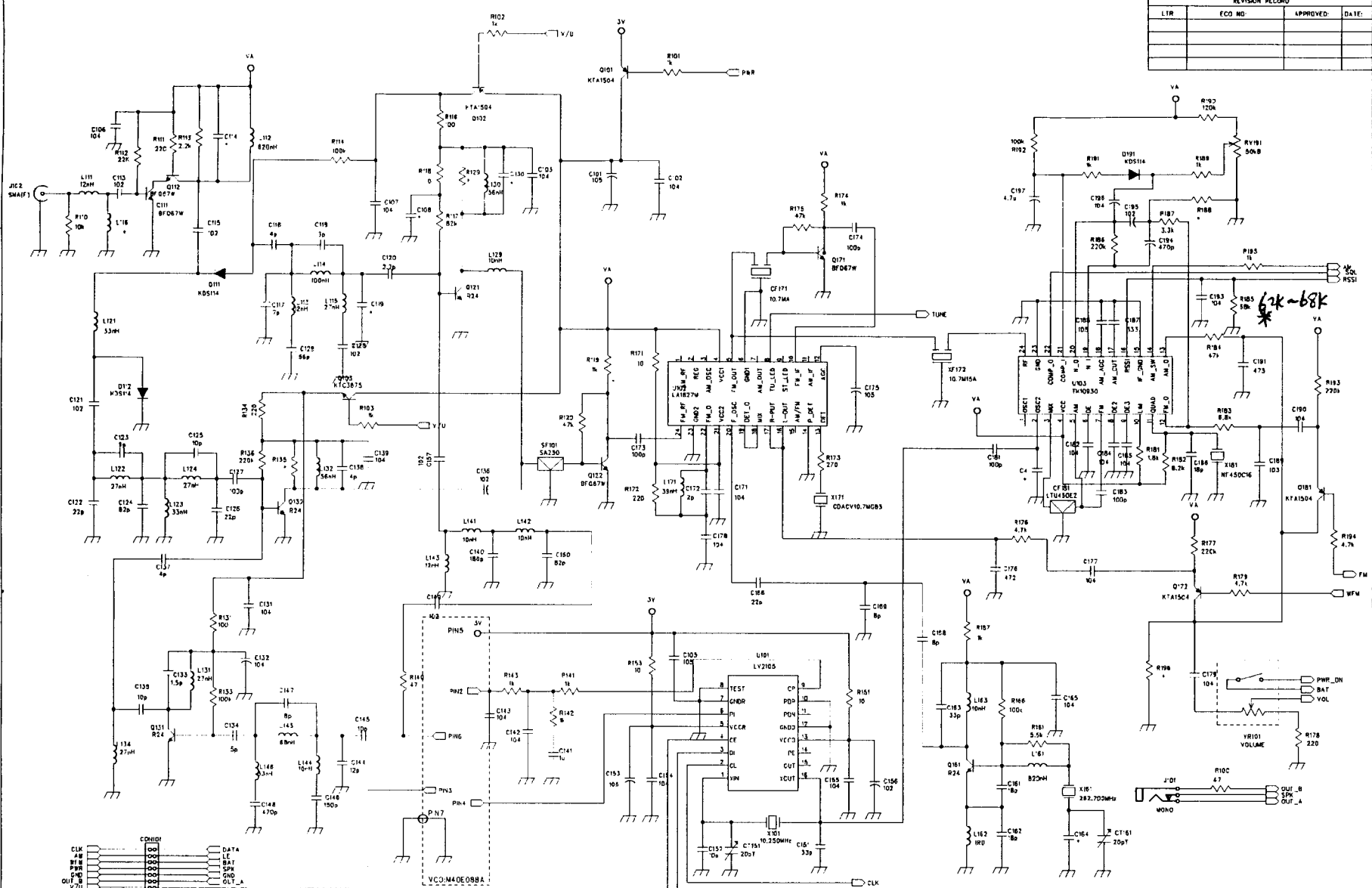
C

B

B

A

A



APPROVED:	COMPANY: <b>MAYCOM CO., LTD.</b>
CHECKED:	TITLE: FR-10C RF
DRAWN: M41 23.001 K.W. P.S.	SCALE: D2A WIG NO. REV: A SHEET: 0F

6

5

4

3

2

1

D

C

B

A

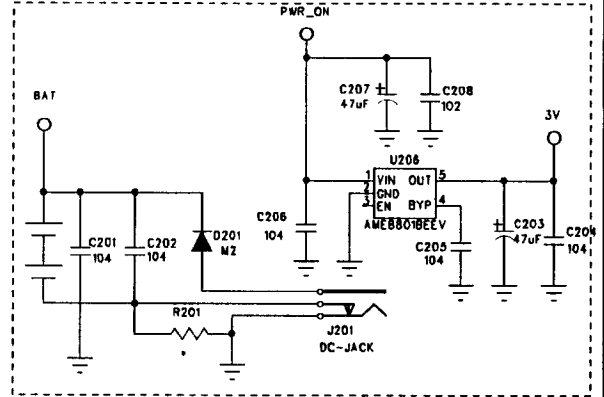
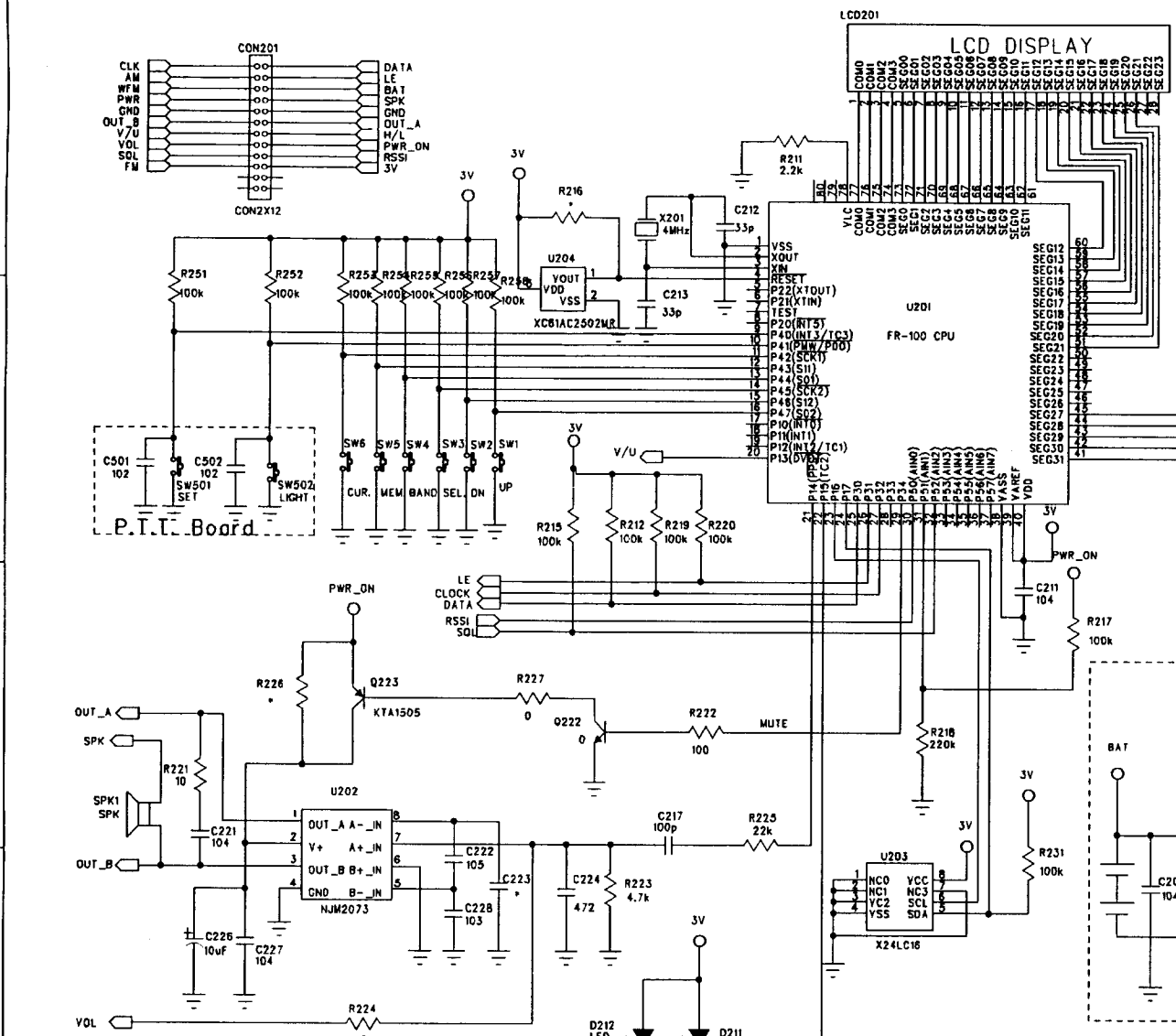
D

C

B

A

REVISION RECORD			
LTR	ECO NO:	APPROVED:	DATE:



APPROVED:	COMPANY: <b>MAYCOM Co., Ltd.</b>
CHECKED:	TITLE: <b>FR-100 CPU</b>
DRAWN: Mar.23. 2001 KIM H.S.	SCALE: DRAWING NO: fr-100da SCH
REV: <b>A</b>	SHEET: 1 OF 1

## FR-100 VCO

